

# ExMP81R

## Explosion Proof Mobile Lighting Equipment (Area Lights)

### Application

Suitable for explosive environment Class II Zone 1, 2 and Class III Zone 21, 22. Designed for a multitude of professional contexts, spanning maintenance, disaster relief, emergency response, incident management and construction. They deliver essential high-intensity illumination to ensure operational efficiency and safety in critical scenarios.



### Parameters

Certifications (pending):	IECEX, ATEX	Battery type:	12x21700 lithium battery
Ex Mark (IECEX):	Ex eb ib mb IIC T4 Gb; Ex tb IIIC T130°C Db	Battery capacity:	43.2V / 5000mAh
Ex Mark (ATEX):	II 2 G Ex eb ib mb IIC T4 Gb; II 2 D Ex tb IIIC T130°C Db	Charging time:	< 7 h
Usage:	II Zone 1/2, and III Zone 21/22	Recharging cycles:	500 cycles
Working ambient temp.:	-20°C ≤ T <sub>a</sub> ≤ +55°C	Lamp rotation angle:	Horizontal: 300° / Vertical: 115°
Ingress protection:	IP66	Outline dimension:	627x157x277mm(folding) / 2150mm(rising up)
Corrosion-proof grade:	WF2	Weight:	< 10 Kg
CCT:	6500K	Warning light color:	Red/Green/Yellow/Blue/White/Reddish blue (optional)

Lighting mode	Floodlight	Spotlight	Floodlight +Spotlight (high)	Floodlight +Spotlight (low)
Beam angle (°)	132	27	27 (central) / 132 (outer circle)	27 (central) / 132 (outer circle)
Power (W)	25	25	55	15
Duration hour (H)	> 10	> 10	> 6	> 18
Lumen (lm)	2500	2500	5500	1500
Beam distance (m)	/	200	215	112
Vertical angle 70° Irradiation area m <sup>2</sup>	200	60	200	200
Illumination				

Note: The above parameters are design values. The actual values are subject to certification testing.


## Description

- The lighting equipment consists of a lamp head, a lifting pole and a housing body.
- The lamp head and housing are electrically connected by built-in cord through lifting pole.  
The lifting pole extends up to maximum 2150mm, to increase the illumination area and achieve regional lighting functionality.
- The housing is molded using PA engineering plastic, known for its lightweight, corrosion resistance.  
The buttons are made of tough, wear-resistant and chemical-resistant high performance nylon, offering a comfortable and long-lasting use.
- It offers four lighting modes-
  - (1) floodlight
  - (2) spotlight
  - (3) floodlight + spotlight (high)
  - (4) floodlight + spotlight (low) – with one-touch switching.
- Additionally, it is equipped with warning lights in the back of the headlight for enhanced safety and visibility.

## Features



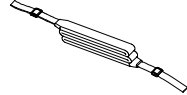


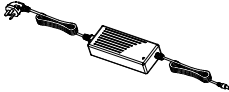
## Order specifications

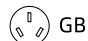
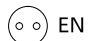
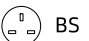



Illustration	Description	Order No.
	Explosion Proof Mobile Lighting Equipment (Area Lights) + Adapter	ExMP81R-□-□-01

● R-Red   ● G-Green   ● Y-Yellow   ● B-Blue   ○ W-White   ● RB-reddish blue    Code of warning light flash color

 GB    EN    BS    ANSI    AS    JIS    Code of plug

## Spare parts

Illustration	Description	Weight (g)	Order No.
Shoulder carrying strap 	/	97	1000/11-02-04
Lithium battery pack 	43.2V / 5000mAh	1200	1000/05-R81-01-Ex
Power supply 	Input: 24V DC/2.5A Output: 18V DC (lighting equipment) 12V DC (warning light)	440	8281R-DR-Ex
Adapter 	Input: 100-240V 50/60Hz, 2A Output: 24V DC, 4A	700	1000/12-02-□

 GB    EN    BS    ANSI    AS    JIS    Code of plug

Outline dimension (unit: mm)

