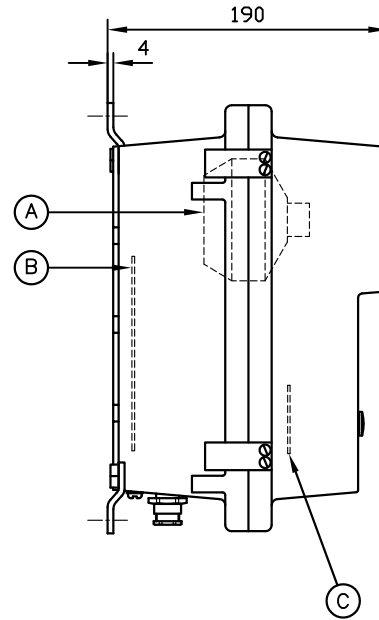
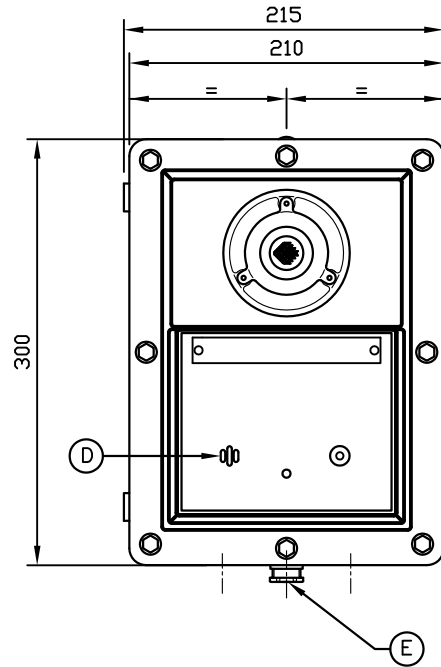
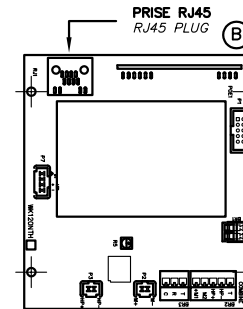
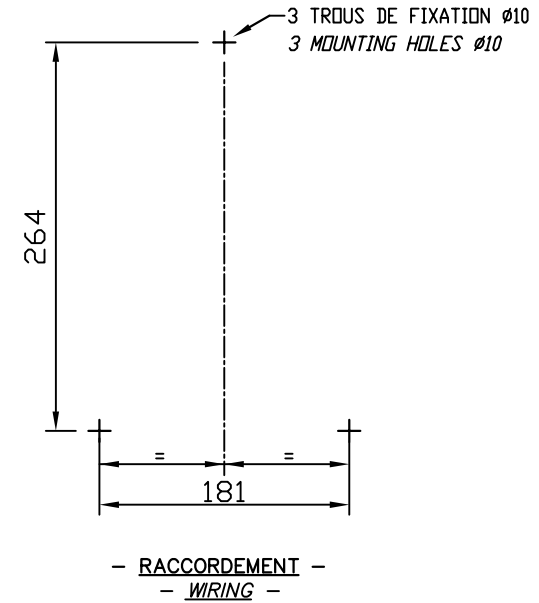


ENCOMBREMENT
DIMENSIONS



ENTRAXE POUR FIXATION
BETWEEN HOLES FOR MOUNTING



DESCRIPTION CARTER CONSTITUE D'UNE BOITE ET D'UN COUVERCLE EN METAL LEGER PROTEGE PAR PEINTURE DE TEINTE ORANGE RAL2003. LA FERMETURE DU COUVERCLE A CHARNIERES S'EFFECTUE PAR 8 VIS CHC M8X20 EN ACIER INOX, TETES NOYEEES DANS UNE ALVEOLE.

CE CARTER COMPREND:

- (A) 1 MOTEUR A CHAMBRE COMPRESSION 15W
- (B) 1 CARTE INTERPHONE IP POE AMPLI 10W
- (C) 1 CARTE BOUTON
- (D) 1 MICROPHONE ELECTRET
- (E) 1 ENTREE POUR CABLE Ø7 A Ø12 MAXI

REFERENCES

- CE225V7
- WK120NTH-POE
- WK030CLG
- CE515V2
- EGM8ATX

REFERENCE: NHA214HBM

POIDS: 8 Kg

DESCRIPTION CASING CONSISTING OF A BOX AND COVER OF LIGHT ALLOY PROTECTED BY PAINT RAL2003. THE HINGED COVER IS CLOSED BY 8 SCREWS CHC M8X20 IN STAINLESS STEEL WITH HEAD EMBEDDED IN A RECESS.

THIS CASING INCLUDES:

- (A) 1 LOUDSPEAKER'S MOTOR
- (B) 1 CARD IP POE AMPLIFIER 10W
- (C) 1 BUTTON CARD
- (D) 1 ELECTRET MICROPHONE
- (E) 1 CABLE GLAND FOR CABLE Ø7 to Ø12 MAX

REFERENCES

- CE225V7
- WK120NTH-POE
- WK030CLG
- CE515V2
- EGM8ATX

REFERENCE: NHA214HBM

WEIGHT: 8 Kg

CONSTRUCTEUR Manufacturer		LE LAS 99 RUE ALEXANDRE TROUVY 94500 CHAMPIGNY SUR MARNE	
MATERIE: Material		Echelle / Ratio 1/4 01	
EXECUTION:		Plan / Drawing	
INTERPHONE GLOBAL IP - 1 BOUTON		2144-ENC	
ATEX "Ex d IIB T6" - II2G		Rev.	
ATEX EXPLOSIONPROOF IP INTERCOM 1 BUTTON		NHA214HBM_B	
2/04/18	A	REV. ETABL.	REV. APPROVE
	B	REV. CORR.	REV. APPROVE
	C	REV. CORR.	REV. APPROVE
	D	REV. CORR.	REV. APPROVE
	E	REV. CORR.	REV. APPROVE
	F	REV. CORR.	REV. APPROVE
	G	REV. CORR.	REV. APPROVE
	H	REV. CORR.	REV. APPROVE
	I	REV. CORR.	REV. APPROVE
	J	REV. CORR.	REV. APPROVE
	K	REV. CORR.	REV. APPROVE
	L	REV. CORR.	REV. APPROVE
	M	REV. CORR.	REV. APPROVE
	N	REV. CORR.	REV. APPROVE
	O	REV. CORR.	REV. APPROVE
	P	REV. CORR.	REV. APPROVE
	Q	REV. CORR.	REV. APPROVE
	R	REV. CORR.	REV. APPROVE
	S	REV. CORR.	REV. APPROVE
	T	REV. CORR.	REV. APPROVE
	U	REV. CORR.	REV. APPROVE
	V	REV. CORR.	REV. APPROVE
	W	REV. CORR.	REV. APPROVE
	X	REV. CORR.	REV. APPROVE
	Y	REV. CORR.	REV. APPROVE
	Z	REV. CORR.	REV. APPROVE