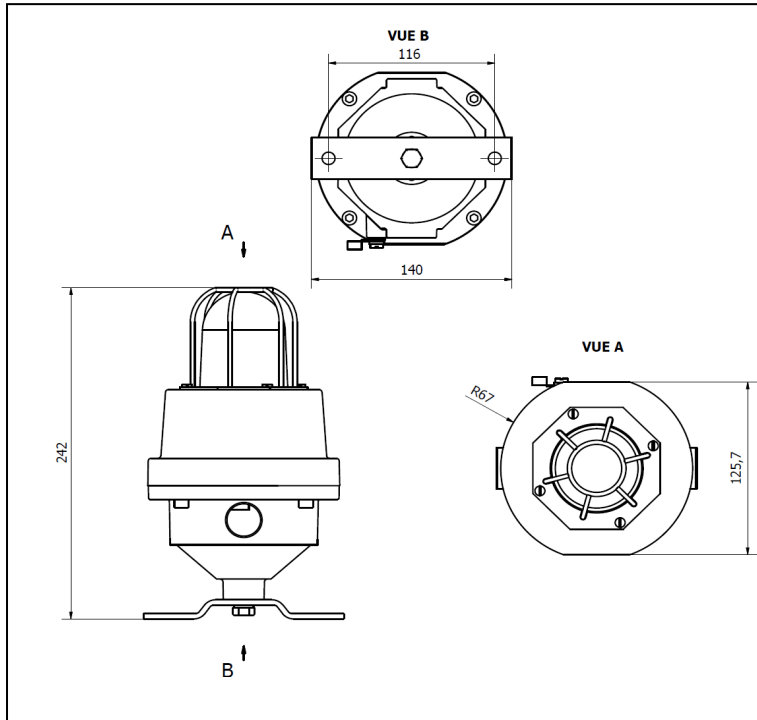


Explosionproof beacon (flash lamp) FEF 218



Electrical parameters:

Power supply: 110 or 230VCA
 Consumption: 20mA
 Power of beacon light: 5 / 15/ 21 Joules (depending on model)
 Frequency of flashes: 60 per minute
 Telephone relay: integrated (works from telephone ring)
 Relay can work from other external system (PAGA, fire protection system etc)
 Ringing voltage (from telephone): 30 to 100Vac 25-50 Hz

General characteristics:

Weatherproof protection: IP 66
 Explosionproof labelling:
 Ex d IIC T6/ T5 Gb
 Ex tb IIIC T 85°C/T 100°C Db
 Color of body : orange RAL2003
 Special color resistant to outdoor installation in harsh environment
 Material of body: aluminum
 Fixations: on wall by 2 screws
 Connection to telephone: on connectors mounted
 Number of cable glands: 2 (mounted)
 Cable glands: section $\varnothing 6 - \varnothing 8 \text{ mm}^2$
 Other dimensions of cable glands possible on demand
 Beacon: transparent in standard version
 Colors of beacon possible: red, blue, green, yellow
 Cable type: Mono and multi wire with section up to 1.5 mm^2
 Dimensions: 140 X 125.7 X 242 mm
 Weight: 2,7 kg
 Ambient temperatures: $-40^\circ\text{C} / +60^\circ\text{C}$
 Opening and closing by 4 screws
 Protection grid from inox
 Warranty: 2 years

Options possible:

- Different colors of beacon flash (red, blue, green, yellow)
- Different color of body (on demand)
- Possible to command from external system (PAGA, Fire announcement and so on) via relay contact