

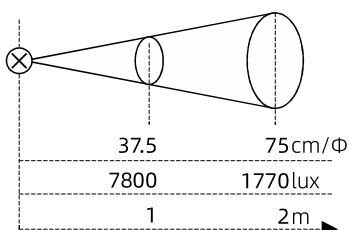
# ExMP31R

Explosion Proof  
Rechargeable  
LED Torch



## Description

- Suitable for explosive environment class I, class II zone 1, 2, class III zone 21, 22 and other professional portable lighting.
- Intrinsically safe explosion-proof design.
- The body is made of high performance nylon. It features as lightweight, anti-aging, anti-corrosion, impact-resistant and easy to carry.
- Professional optical lens design, soft illumination, uniform spot, in line with GB 30734 fire protection standard.



## Parameters

Certifications:	IECEX, ATEX, EAC
Ex mark:	IECEX: Ex ib I Mb; Ex ib IIC T4 Gb; Ex ib IIIB T130°C Db ATEX: Ex I M2 Ex ib I Mb Ex II 2 G Ex ib IIC T4 Gb Ex II 2 D Ex ib IIIB T130°C Db
Usage:	I, II Zone 1/2, and III Zone 21/22
Working ambient temp.:	-40°C ≤ Ta ≤ +55°C
Ingress protection:	IP66/67
CCT:	6500K
Luminous flux:	≥220lm (strong mode), ≥110lm (work mode), ≥110lm (SOS mode)
Run time:	≥9h (strong mode), ≥13h (work mode)
Beam distance:	≥177m (strong mode), ≥125m (work mode)
Battery type:	18650 lithium battery (IEC 61233, IEC 61960)
Battery capacity:	3.6V, 3350mAh
Charging way:	matched 1000/01-A31 charging base
Charging time:	≤5h
Recharging cycles:	500 cycles
Lifespan:	50,000h (without battery)

Note: The luminous flux and continuous discharge time are the values measured under the environment of -20°C ≤ Ta ≤ +55°C.

## Features



## Order specifications

Illustration	Description	Weight (g)	Order No.
	Explosion Proof Rechargeable LED Torch	187	ExMP31R
	Explosion Proof Rechargeable LED Torch (with magnetic)	202	ExMP31R-M
	Explosion Proof Rechargeable LED Torch + Charging base + Adapter	320	ExMP31R+A31-□
	Explosion Proof Rechargeable LED Torch (with magnetic) + Charging base + Adapter	335	ExMP31R-M+A31-□

GB
 EN
 BS
 ANSI
 AS
 JIS
 \_\_\_\_\_ Code of plug

Note: Users can choose type A integrated charging track rail and integrated charging stand. Please see pages 03-05 for details.

## Installation diagram



Magnetic type. It can be adsorbed on the metal frame, freeing your hands when working.

The belt clip is used to buckle the torch. It is 360° adjustable and easy to plug in and out.

## Charging system

- ExMP31R is equipped with a dedicated charging base to ensure safe use. The charging base has a charging indicator light, red means charging, green means fully charged.
- The charging base has 2 charging ports - AC 100-250V/0.5A and a matched integrated charging port at the bottom. Safe, simple and convenient.
- This product is suitable for type A integrated charging track rail.

AC 100-250V,  
50/60Hz

Individual Charging



Type A Integrated  
Charging Track Rail

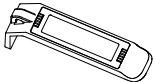


Integrated Charging Stand


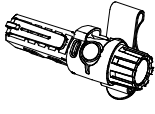

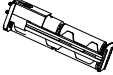
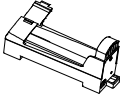
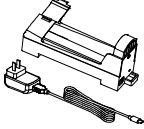








Note: For technical parameters of integrated charging track rail and integrated charging stand, please refer to pages 03-05.

## Spare parts

Illustration	Description	Weight (g)	Order No.
<p>Magnetic holder</p> 	/	15	1000/11-01-05-Ex

## Spare parts

Illustration	Description	Weight (g)	Order No.
		42	1000/11-01-01
	3.6V, 3350mAh	82	1000/05-R31-Ex
	3x1.5V	89	1000/05-N31-Ex
	Input voltage/current: DC 5.0V/2000mA	62	1000/01-A31
	Input voltage/current: AC 100-250V/500mA Input voltage/current: DC 5.0V/2000mA	134	1000/01-A31-□

 GB
  EN
  BS
  ANSI
  AS
  JIS

Code of plug

## Outline dimension (unit: mm)

